



US00D371420S

United States Patent [19]

[11] Patent Number: **Des. 371,420**

Henriksson et al.

[45] Date of Patent: ****Jul. 2, 1996**

[54] **FISHING REEL FRAME**

4,798,354 1/1989 Nanbu et al. 242/310

[75] Inventors: **Bengt-Åke Henriksson**, Svängsta;
Börje Moosberg, Mörrum, both of
Sweden

Primary Examiner—Doris V. Coles
Attorney, Agent, or Firm—Browdy and Neimark

[73] Assignee: **ABU AB**, Svängsta, Sweden

[57] **CLAIM**

[**] Term: **14 Years**

The ornamental design for a fishing reel frame, as shown.

[21] Appl. No.: **36,950**

[22] Filed: **Mar. 31, 1995**

[52] U.S. Cl. **D22/140**

[58] **Field of Search** D22/140, 137;
242/223, 279, 278, 280, 281, 257.262,
319

DESCRIPTION

FIG. 1 is a perspective view showing the top side, the right side and the rear side of the fishing reel frame according to the invention;

FIG. 2 is a perspective view showing the underside, the left side and the front of the fishing reel frame;

FIG. 3 is a perspective view showing the top side, the right side and the front of the fishing reel frame;

FIG. 4 shows the fishing reel frame from the right;

FIG. 5 shows the fishing reel frame from the left;

FIG. 6 shows the fishing reel frame from behind;

FIG. 7 shows the fishing reel frame from the front;

FIG. 8 shows the fishing reel frame from below; and,

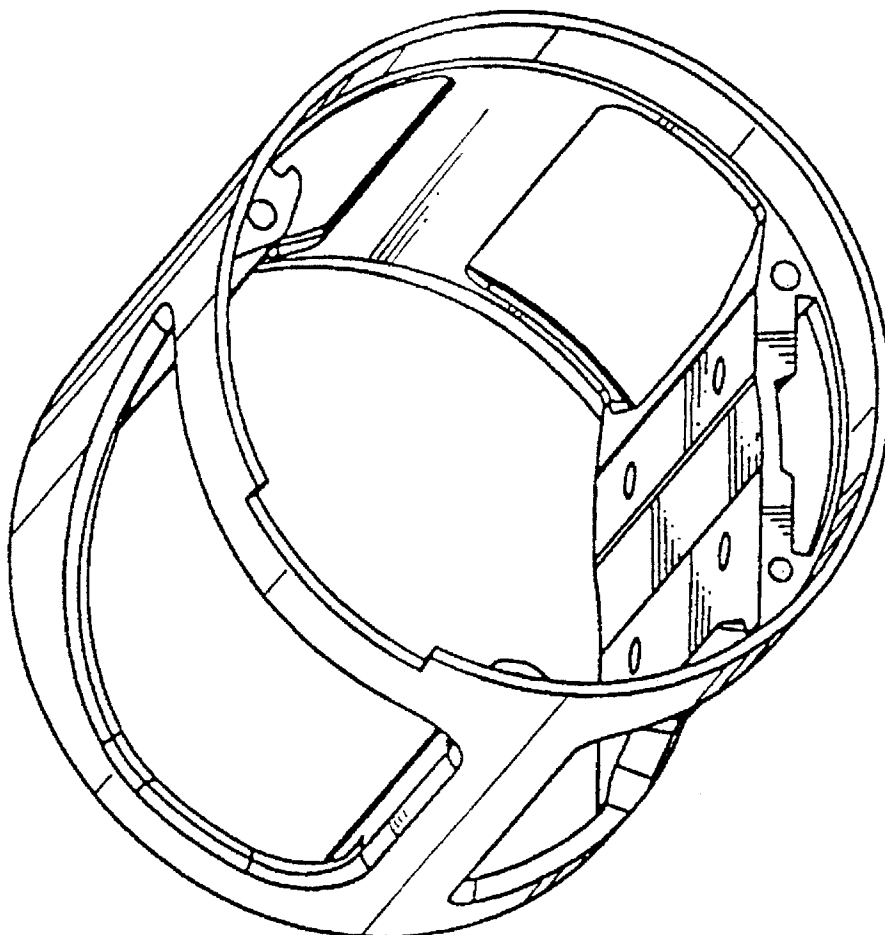
FIG. 9 shows the fishing reel frame from above.

[56] **References Cited**

U.S. PATENT DOCUMENTS

D. 348,303	6/1994	Kameda et al.	D22/140
D. 348,919	7/1994	Sato et al.	D22/140
D. 352,989	11/1994	Ark	D22/140
D. 357,055	4/1995	Storz	D22/140

1 Claim, 2 Drawing Sheets



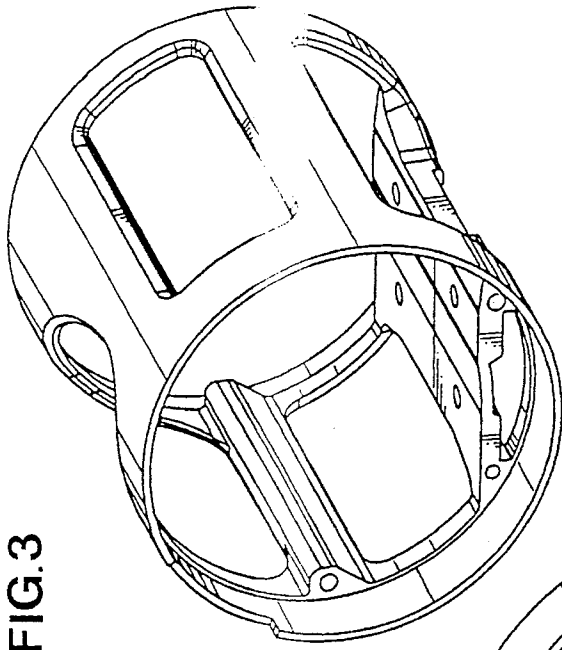


FIG. 3

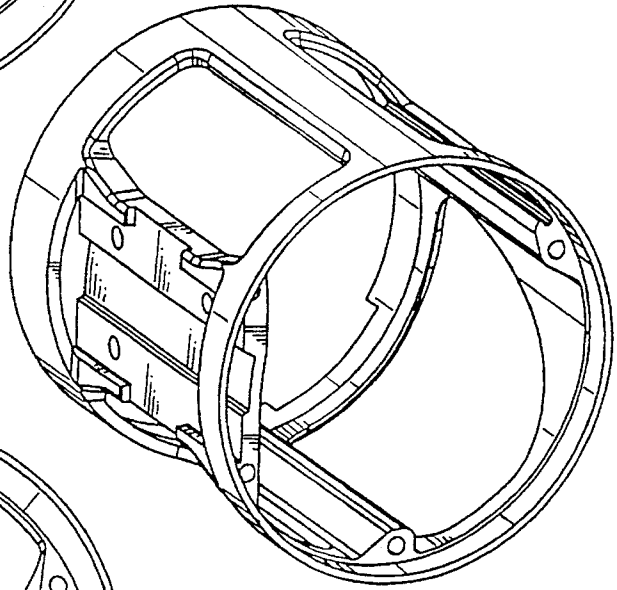


FIG. 2

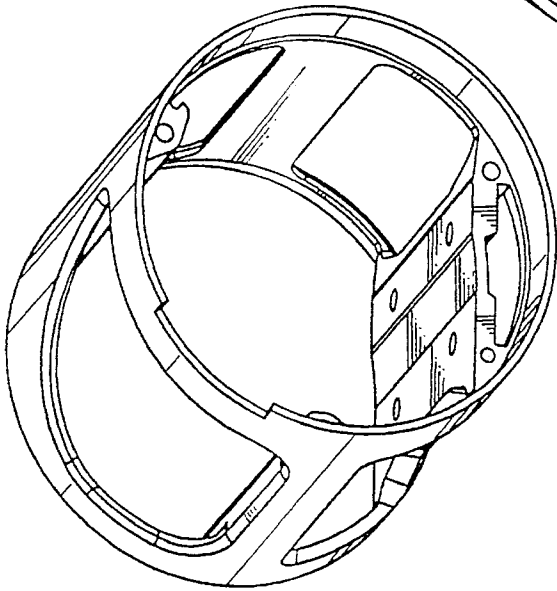


FIG. 1

FIG.5

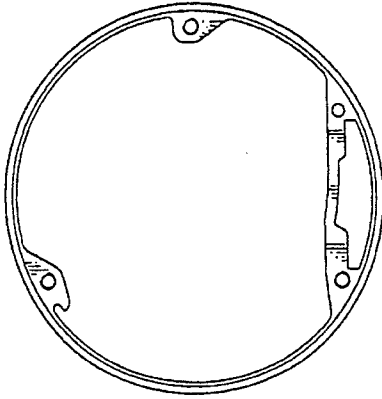


FIG.9

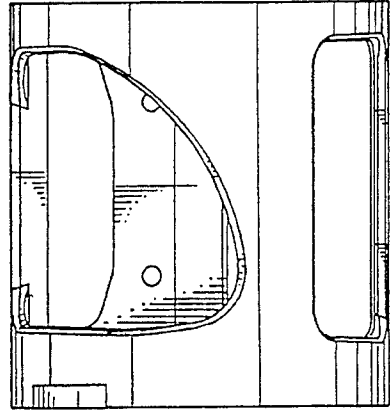


FIG.6

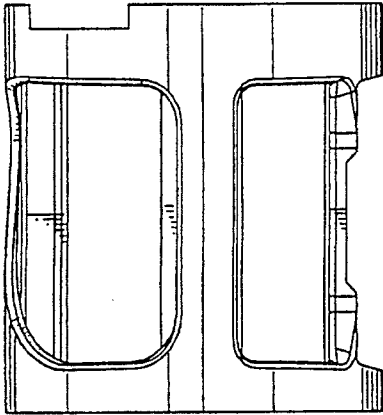


FIG.8

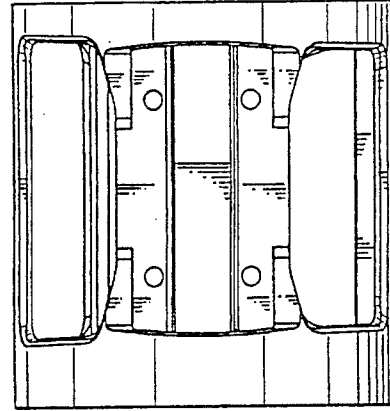


FIG.4

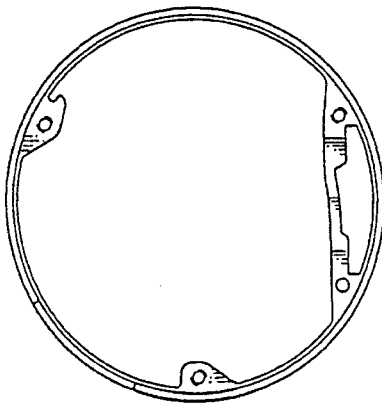


FIG.7

