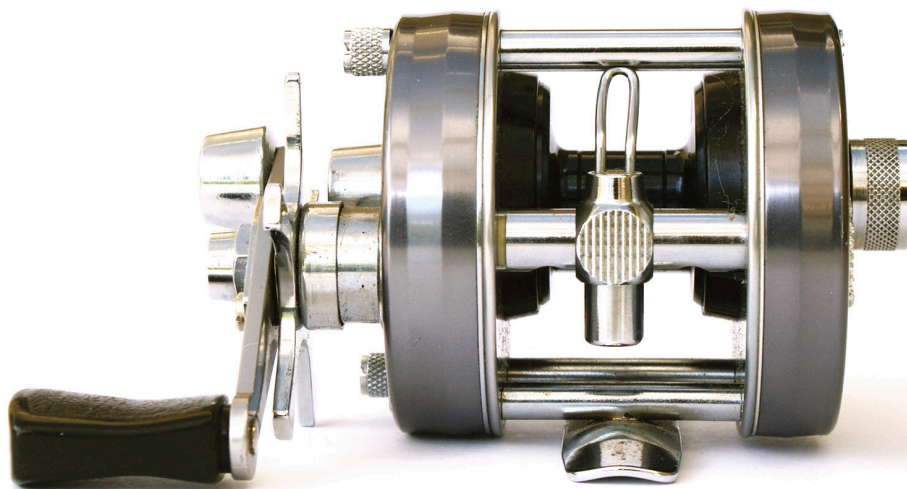


# SMALL AMBASSADEURS

The Legendary Light-Line Fishing Reels:  
The ABU Ambassadeur 2500C, 1500C & Related Models

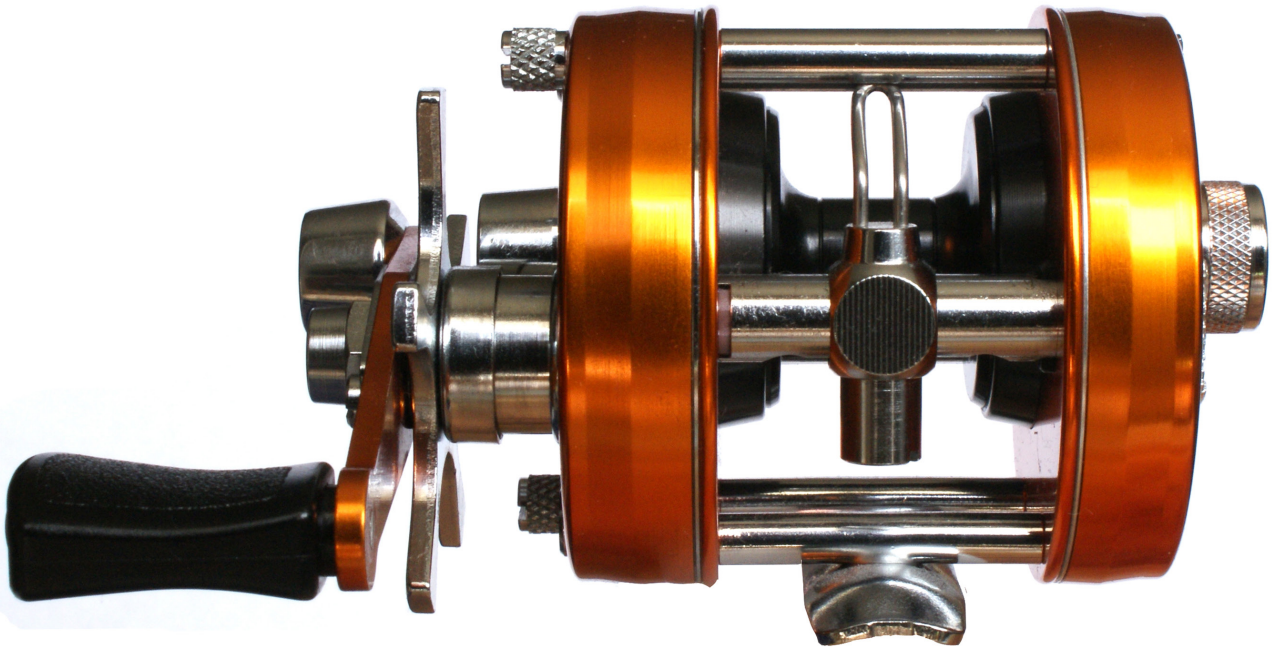
*Espen Sjaastad & Karl-Eric Svensson*

 **SMALL**  
**ambassadeurs**  
THE LEGENDARY LIGHT-LINE FISHING REELS

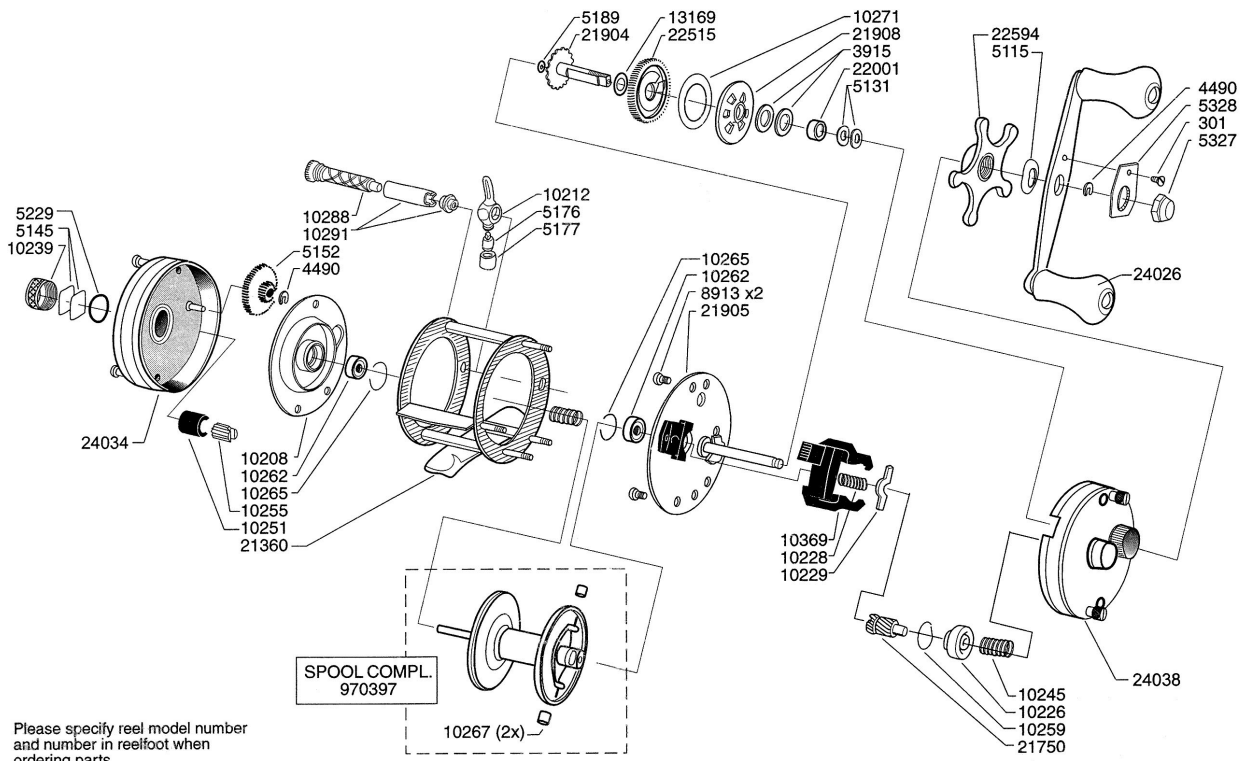
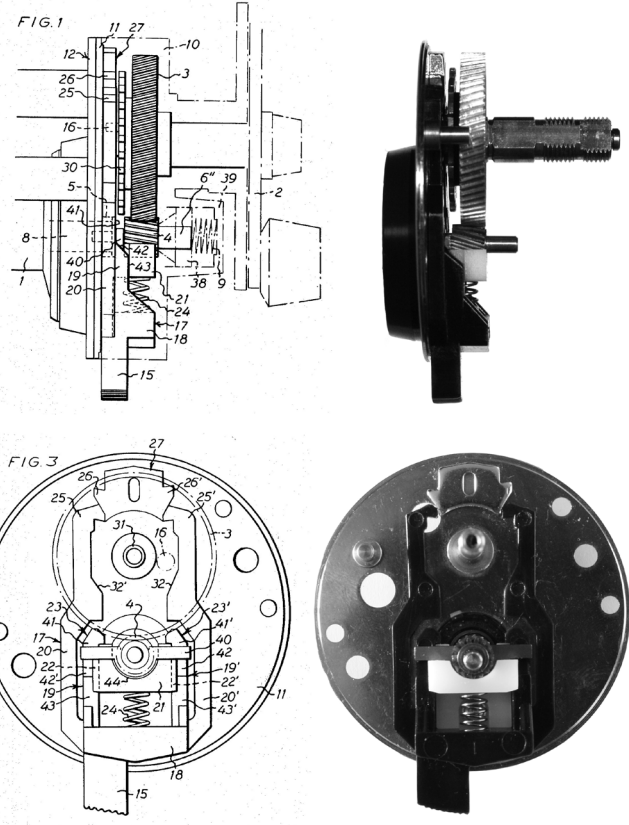
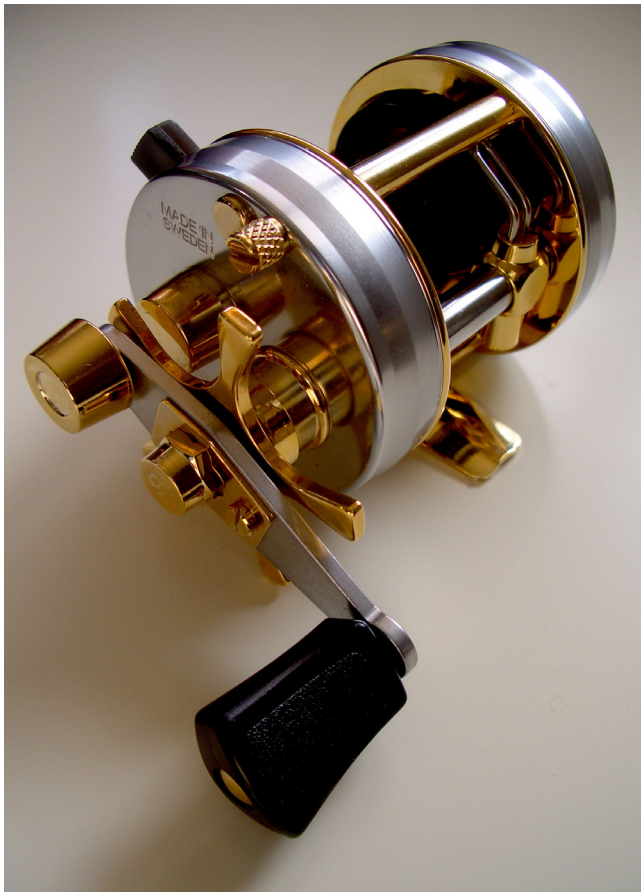


ESPEN SJAASTAD & KARL-ERIC SVENSSON

THE ABU AMBASSADEUR 2500C,  
1500C & RELATED MODELS





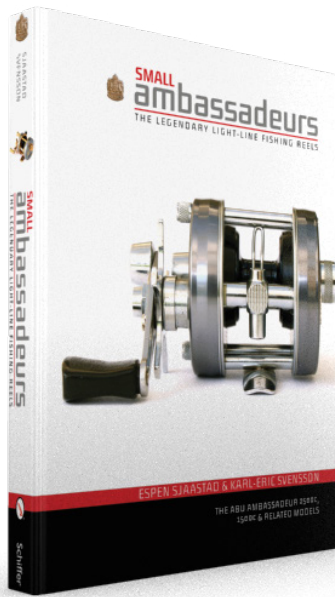


Please specify reel model number and number in reelfoot when ordering parts

Vid beställning av reservdelar bör alltid rulltyp och nummerbeteckning under rullfoten anges

**Ambassadeur 1500 C IAR Chrome** 07 00

901843 (Chrome) 34-12034-0



**AVAILABLE** June 2015

## SPECIFICATIONS

**ISBN:** 978-0-7643-4866-2

**Size:** 8 1/2" x 11"

**Pages:** 256

**Images:** 500+ color photos & charts

**Binding:** hard cover

**Price:** \$45.00

- Tells the definitive story of small ABU Ambassadeur reels from 1975 until today
- Covers the history, taxonomy, and availability of a legendary family of fishing reels
- The current casting world record was set with an Ambassadeur 2500C from 1975

## ABOUT THE BOOK

The Ambassadeur 2500C, a small casting reel capable of handling fine lines and light baits, was first produced in 1975. This book provides a comprehensive history and taxonomy of this legendary family of fishing reels, which is cherished and admired by anglers, collectors, and tournament casters alike. Find information on variations from 1975 to the present, Ambassadeur De Luxe versions and other special editions, fakes, tournament modifications, and market prices, as well as detailed tables and charts with exhaustive technical information. Since its invention, the 2500C has been followed by 60 further types, all crafted around the same general principles. The current casting world record for 5/8-ounce plugs was set with an original Ambassadeur 2500C, and the reel has acquired such a trusted reputation that many anglers refuse to fish with any other type of reel.

## ABOUT THE AUTHOR(S)

Espen Sjaastad is a professor at the Norwegian University of Life Sciences, living in Oslo, Norway. Karl-Eric Svensson was employed by tackle maker ABU from 1957 until 2003. He and wife Mona live in Svängsta, Sweden.

### Author location:

Oslo, Norway & Svängsta, Sweden



**SCHIFFER  
PUBLISHING**

4880 LOWER VALLEY ROAD | ATGLEN, PA 19310

PHONE: (610) 593-1777 | FAX: (610) 593-2002

[www.schifferbooks.com](http://www.schifferbooks.com)